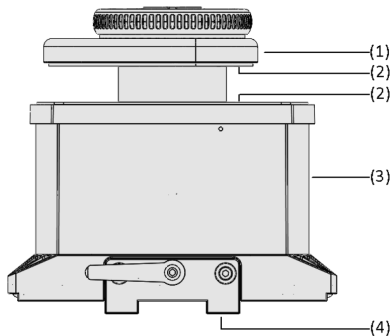


Mechanical Clamps VCMC-K2-QUICK

Clamping range 10 mm to 100 mm · With quick adjustment



Mechanical Clamps VCMC-K2-QUICK



System design Mechanical Clamps VCMC-K2-QUICK



Mechanical clamp VCMC-K2-QUICK when clamping frame parts

Suitability for industry specific applications

Application

- Mechanical clamping system for CNC machining centers with console table (two-circuit system)
- Particularly suitable for narrow and curved workpieces such as frame parts and window profiles
- For setup, the clamp is fixed to the console with the first vacuum circuit and optionally also mechanically clamped; the clamping height is adapted to the workpiece with the tool-free quick adjustment
- Clamping of the workpiece by activating the second vacuum circuit on the machine table

Design

- Triangular clamping disc (1) can be adjusted without tools in clamping height and support surface on the workpiece
- The clamping disc is lowered via the piston by activating the vacuum and clamps the workpiece
- Friction material (2) for optimizing lateral force absorption
- Main body (3) made of aluminum with interface to the machine table for fixing the clamp by vacuum
- Optional mechanical clamping (4) to fix the clamp on the console

Product highlights

- Triangular clamping disc with tool-free quick adjustment enables shortest setup times
- Clamping forces up to 700 N guarantee high holding forces even on narrow workpieces
- Fixation by vacuum and optional mechanical clamping secure the clamp on the console
- No additional medium required on the machine, as the clamping device is activated by the operating vacuum of the CNC machining center
- Special friction materials on the clamping disc and clamping surface ensure that the workpiece is held securely even with high machining forces

Mechanical Clamps VCMC-K2-QUICK

Clamping range 10 mm to 100 mm · With quick adjustment

Designation code Mechanical Clamps VCMC-K2-QUICK

VCMC-K2	–	QUICK	–	170x135	–	x50	–	15-85
1		2		3		4		5

1 – Abbreviated designation

Code	Type
VCMC-K2	Mechanical clamp, two-circuit console system

2 – Design

Code	Type
QUICK	With tool-free height adjustment

3 – Dimensions

Code	LxW in mm
170x135	170x135

4 – Clamping height

Code	H in mm
x50...x125	50 to 125

5 – Clamping range

Code	Clamping range in mm
15-85...10-100	15-85 and 10-100

The mechanical clamp VCMC-K2-QUICK is delivered assembled. The product consists of:

- Clamping disc with quick adjustment
- Main body made of aluminum
- Mounting on the console

Available spare parts: clamping disc

Available accessories: mechanical clamping, conversion kit for automatic machine table, clamping range extension

Ordering data Mechanical Clamps VCMC-K2-QUICK

Type	Part no.
VCMC-K2-QUICK 170x135x50 15-85	10.01.12.04693
VCMC-K2-QUICK 170x135x75 15-85	10.01.12.04745
VCMC-K2-QUICK 170x135x100 10-100	10.01.12.04613
VCMC-K2-QUICK 170x135x125 10-100	10.01.12.04743

Ordering data Spare parts Mechanical Clamps VCMC-K2-QUICK

Type	Spare parts		Part no.
VCMC-K2-QUICK 170x135x50 15-85	Clamping disc	SPAN-TELL 110x30 EXZ VCMC	10.01.12.04688
VCMC-K2-QUICK 170x135x75 15-85	Clamping disc	SPAN-TELL 110x30 EXZ VCMC	10.01.12.04688
VCMC-K2-QUICK 170x135x100 10-100	Clamping disc	SPAN-TELL 110 EXZ VCMC	10.01.12.04239
VCMC-K2-QUICK 170x135x125 10-100	Clamping disc	SPAN-TELL 110 EXZ VCMC	10.01.12.04239

Type	Part no.
Sealing frame (bottom)	VCDR 166x113x6.6 VCSP 10.01.12.02191

Ordering data Accessories Mechanical Clamps VCMC-K2-QUICK

Type	Spare parts		Part no.
VCMC-K2-QUICK 170x135x50 15-85	Extension with hexagon	VRL-S M20x1x35	10.01.12.04374
VCMC-K2-QUICK 170x135x75 15-85	Extension with hexagon	VRL-S M20x1x35	10.01.12.04374
VCMC-K2-QUICK 170x135x100 10-100	Upgrade set AP	ZUB VCMC-K2	10.01.12.04611

Spare parts	Type	Part no.
Clamping unit	KLEM-EINH 69.5x35x12.5	10.01.12.04990
Positioning aid	ZUB VCMC	10.01.12.04008
Clamping unit and positioning aid	ZUB VCMC	10.01.12.05154

Mechanical Clamps VCMC-K2-QUICK

Clamping range 10 mm to 100 mm · With quick adjustment

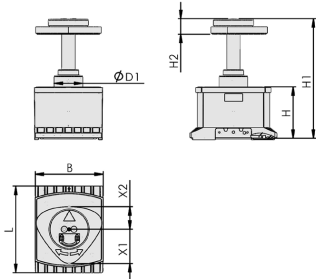
Technical data Mechanical Clamps VCMC-K2-QUICK

Type	Clamping range [mm]
VCMC-K2-QUICK 170x135x50 15-85	15.0 ... 85.0 mm
VCMC-K2-QUICK 170x135x75 15-85	15.0 ... 85.0 mm
VCMC-K2-QUICK 170x135x100 10-100	10.0 ... 100.0 mm
VCMC-K2-QUICK 170x135x125 10-100	10.0 ... 100.0 mm

Mechanical Clamps VCMC-K2-QUICK

Clamping range 10 mm to 100 mm · With quick adjustment

Design data Mechanical Clamps VCMC-K2-QUICK



VCMC-K2-QUICK

Mechanical Clamps VCMC-K2-QUICK

Clamping range 10 mm to 100 mm · With quick adjustment

 **Design data Mechanical Clamps VCMC-K2-QUICK**

Type	B [mm]	D1 [mm]	H [mm]	H1 [mm]	H2 [mm]	L [mm]	X1 [mm]	Hole spacing X2 [mm]
VCMC-K2-QUICK 170x135x50 15-85	133.00	56	50	168	30.0	171.0	67	44
VCMC-K2-QUICK 170x135x75 15-85	133.31	56	75	193	30.0	171.0	67	44
VCMC-K2-QUICK 170x135x100 10-100	133.31	56	100	234	30.0	170.0	67	44